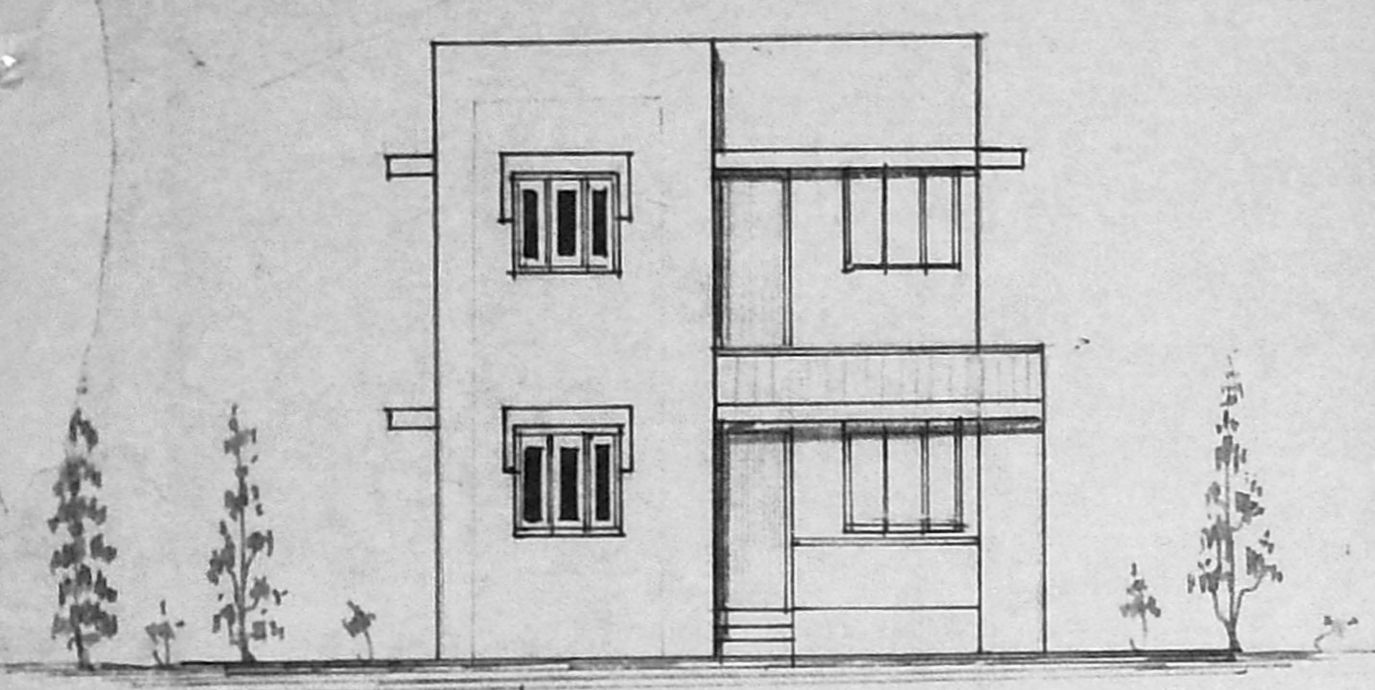
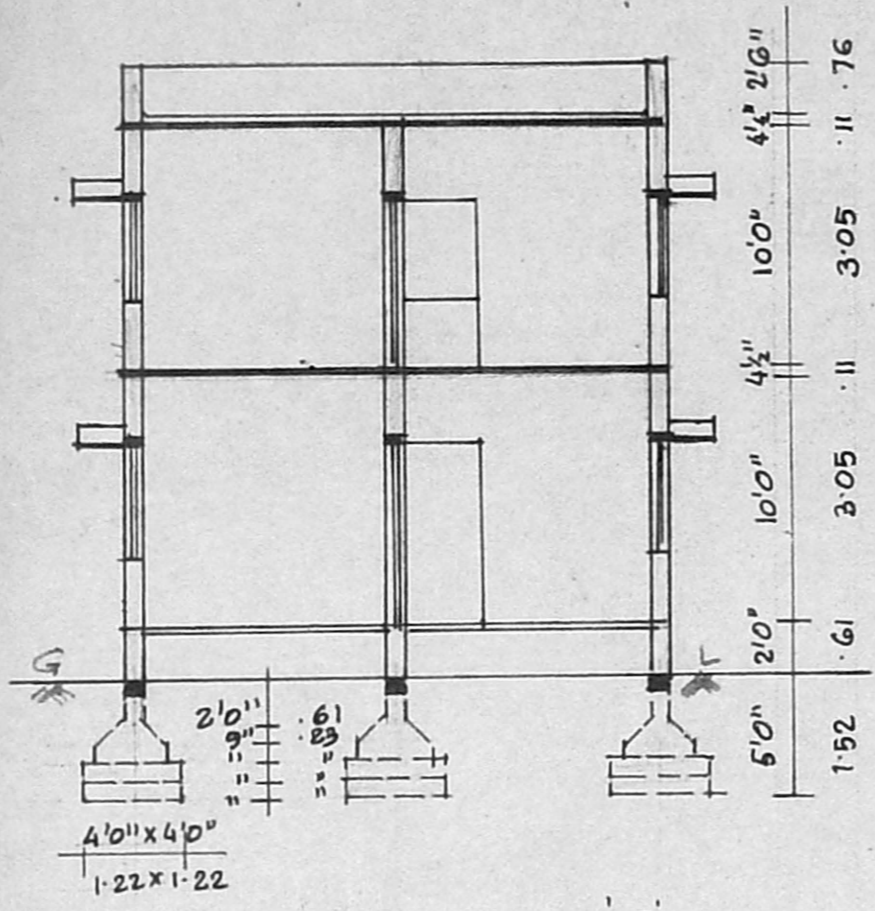




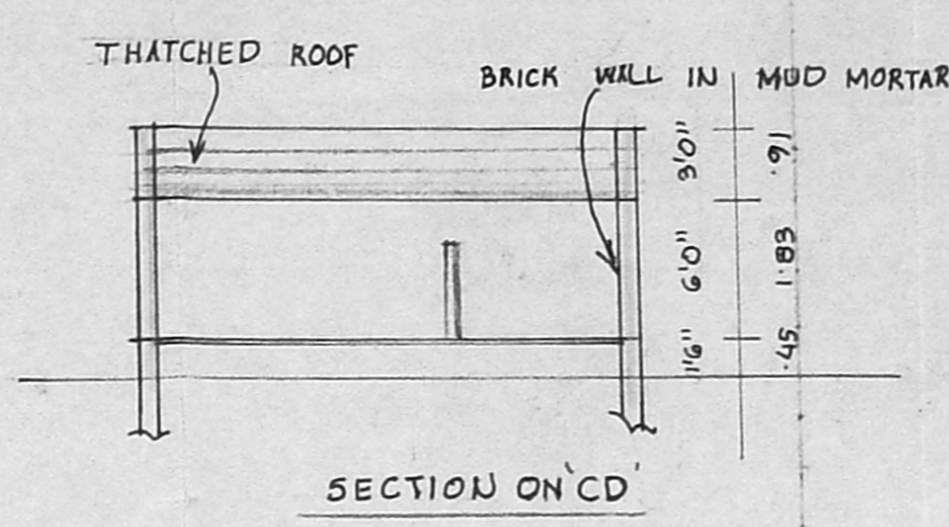
A/17307/92



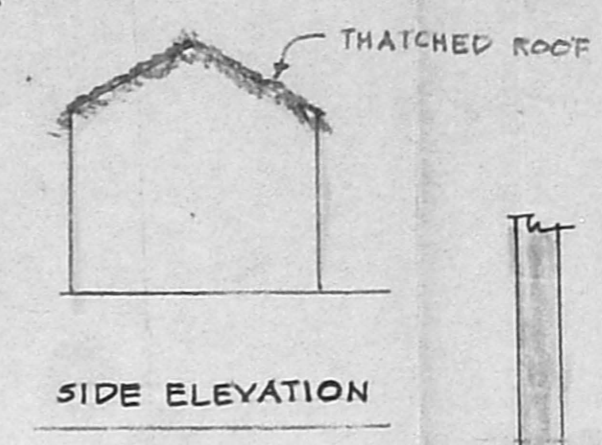
ELEVATION



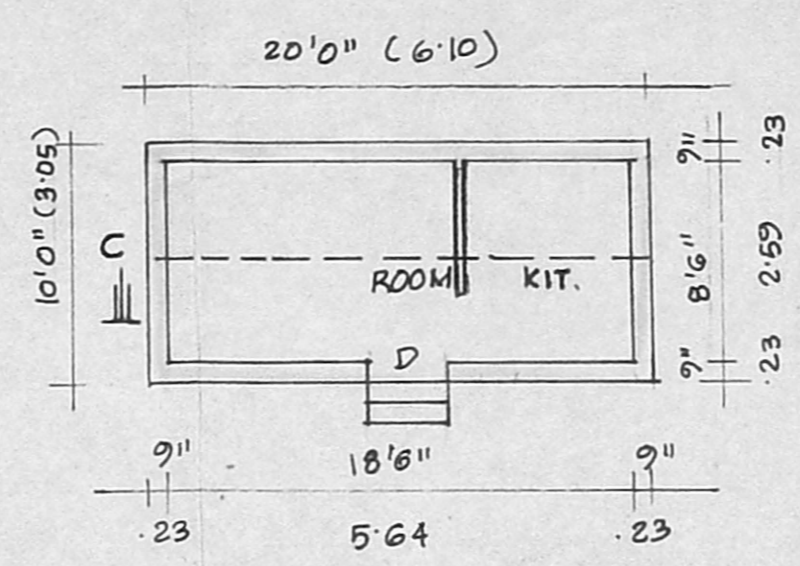
SECTION ON AB



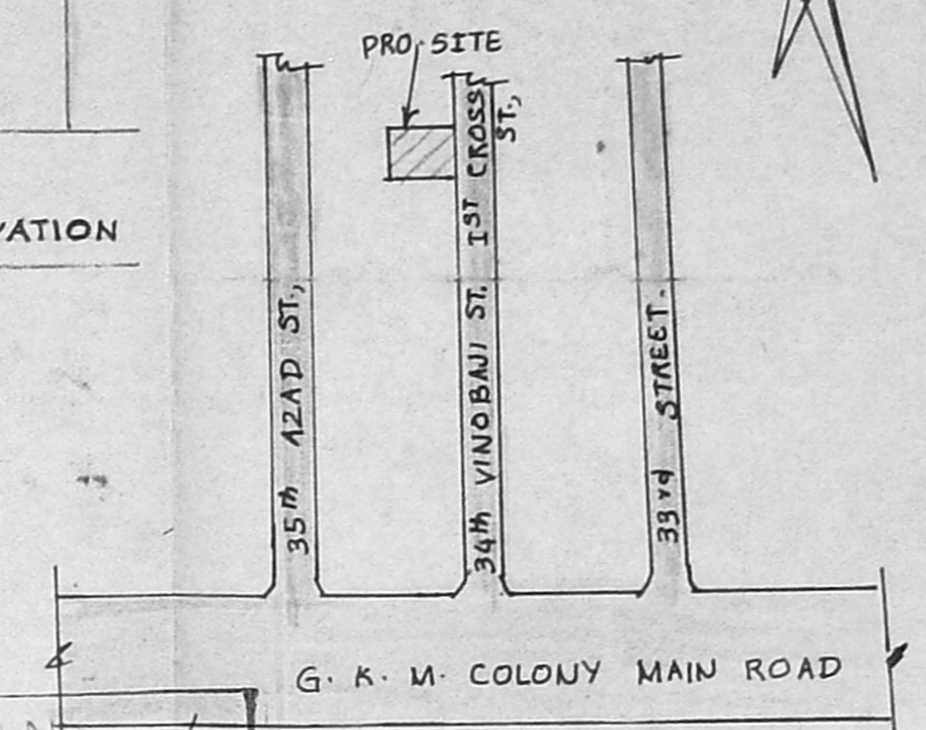
SECTION ON CD



SIDE ELEVATION

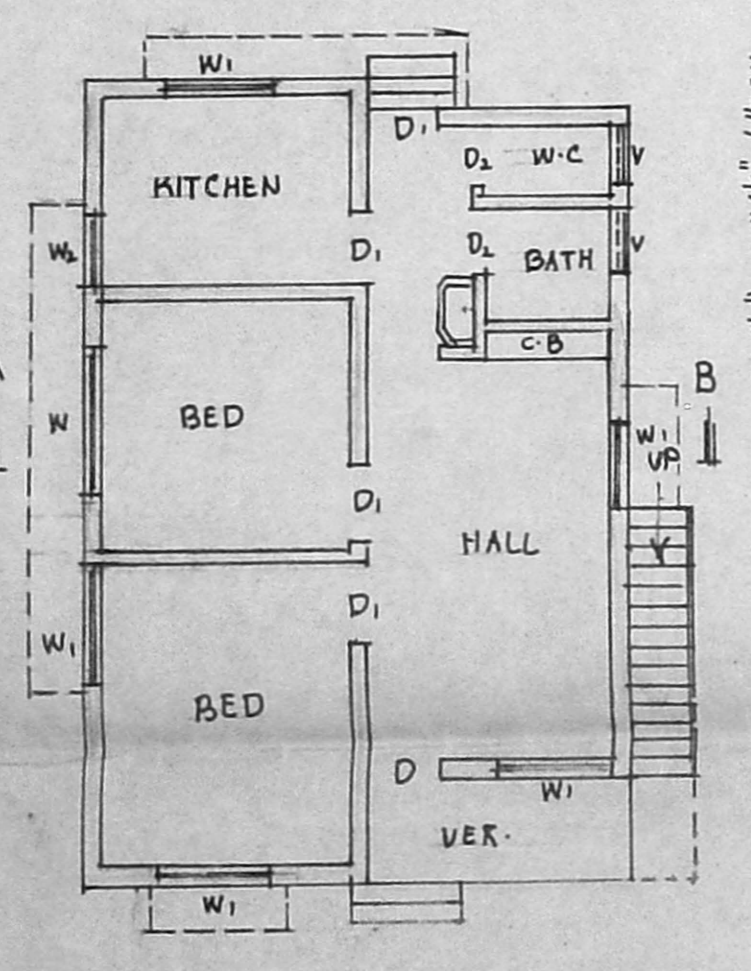
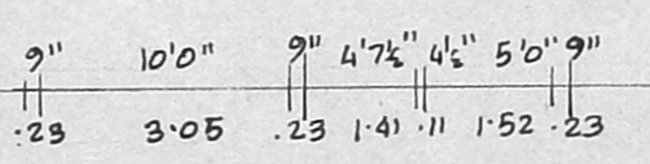
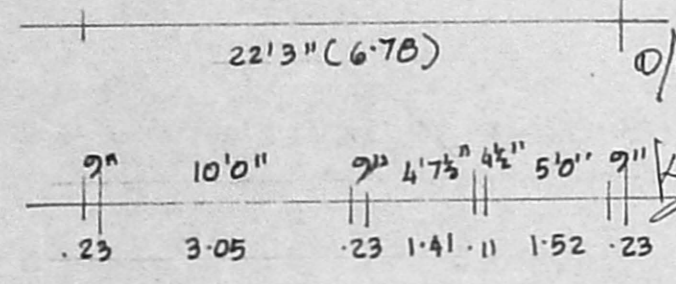


EXG. THATCHED ROOF HUT TO BE REMOVED

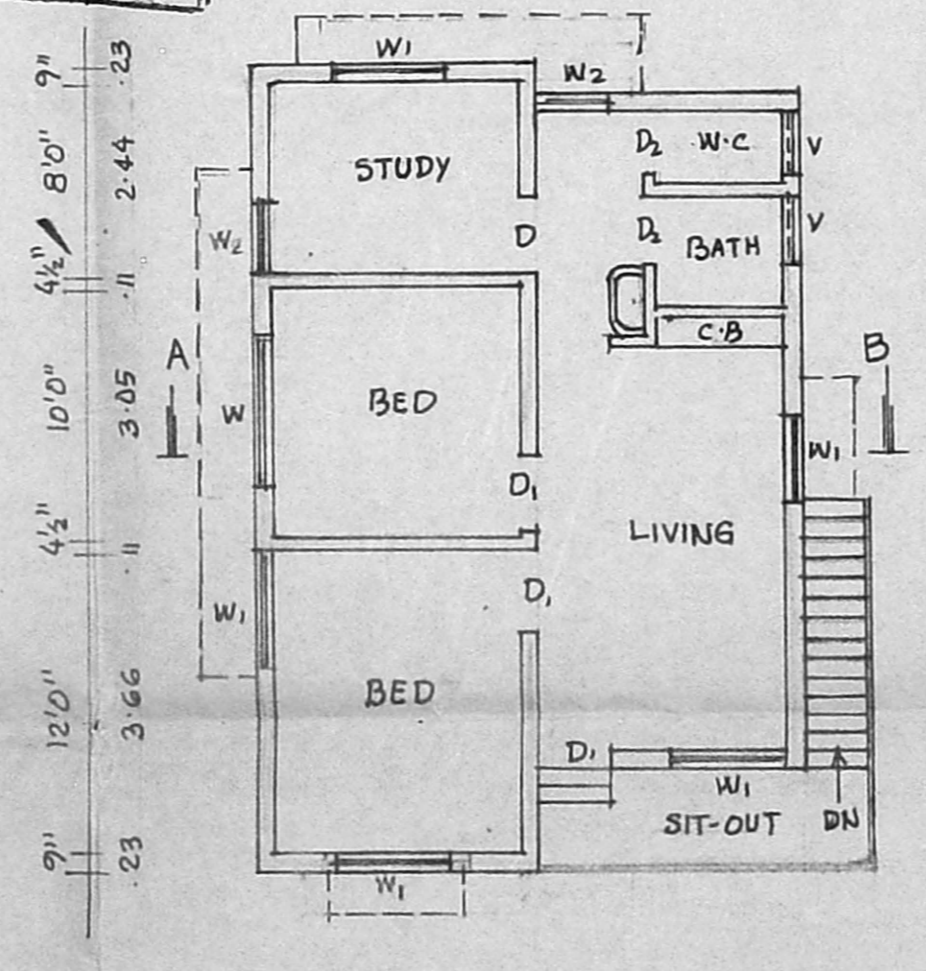


KEY PLAN NOT TO SCALE

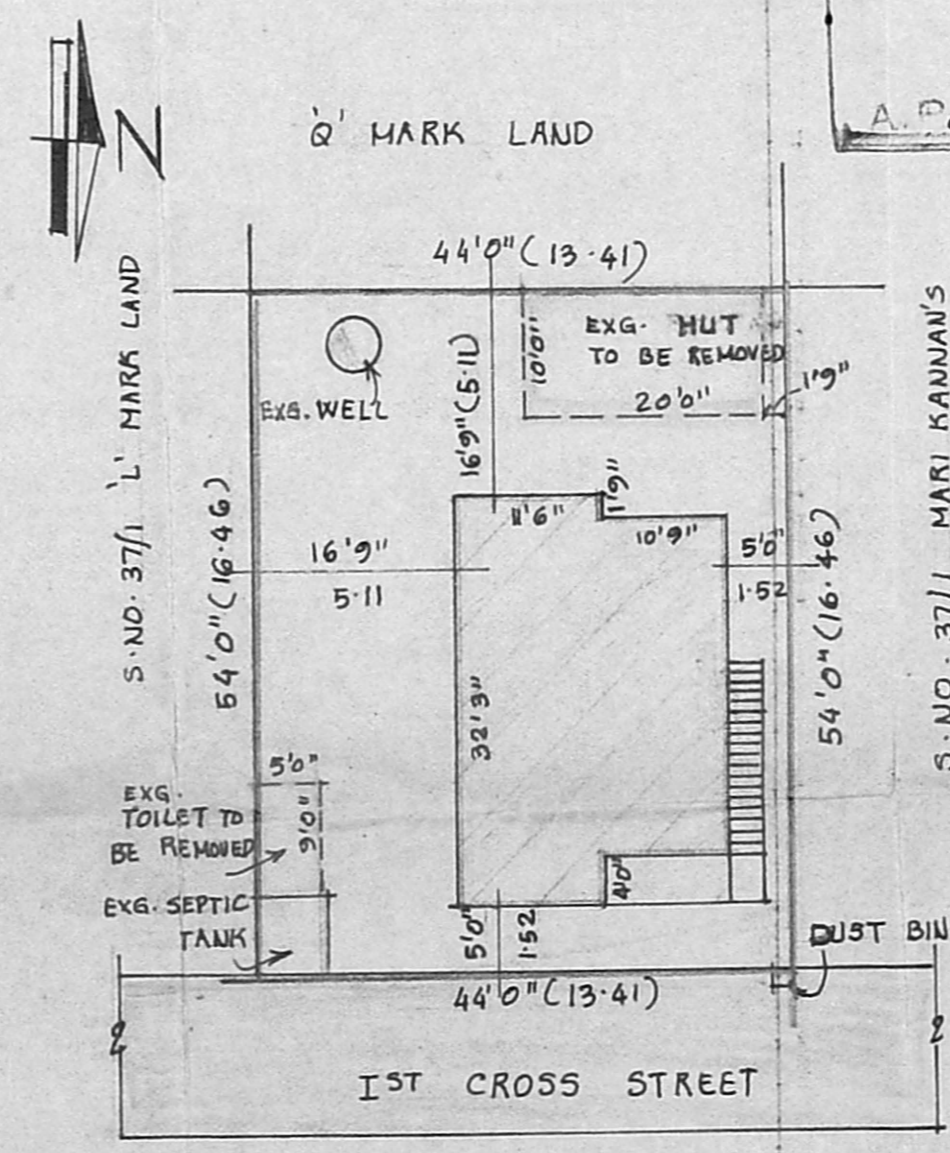
Planning Permit No. A/17307/92
APPROVED
 SUBJECT TO THE CONDITIONS IN THIS OFFICE BYTER.
 No. 41/7307/92
 14/8/92
 FOR MEMBER SECRETARY
 MADRAS METROPOLITAN
 DEVELOPMENT AUTHORITY
 MADRAS-600008



G. FLOOR PLAN

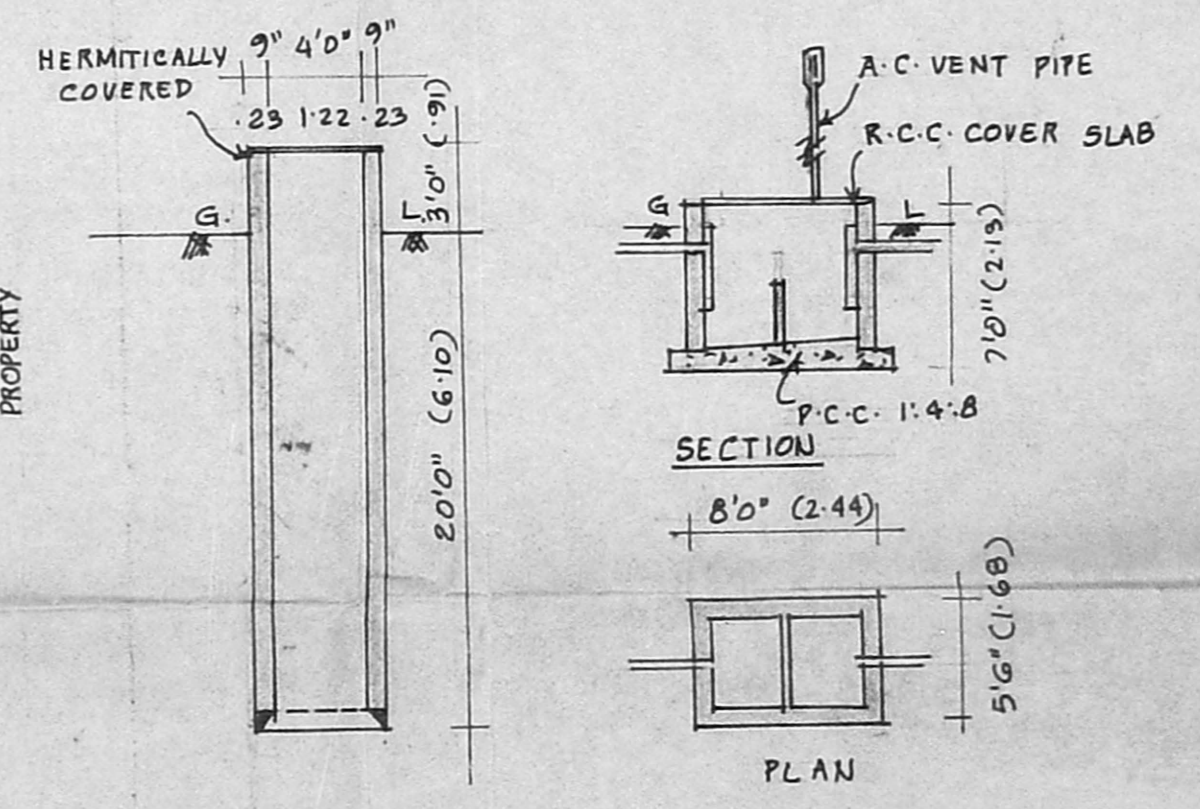


F. FLOOR PLAN



SITE PLAN

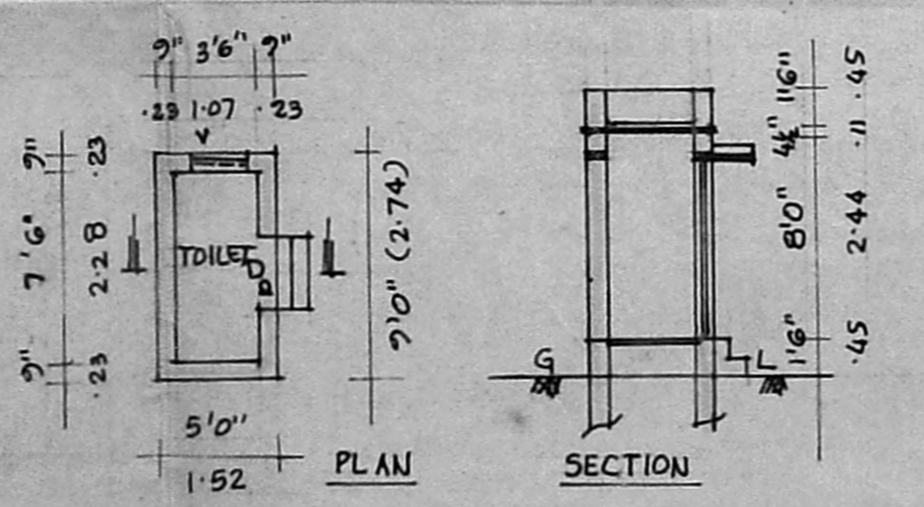
SCALE 1" = 16'0" (1:200)
 71.78
 220.73



DETAILS OF WELL & SEPTIC TANK.

PLAN SHOWING THE PROPOSED CONSTRUCTION OF A BUILDING AT PLOT NO. 'L', DOOR NO. 13, 'KAMBAR NAGAR', FIRST CROSS STREET, KONNUR VILLAGE, MADRAS. 99. SURVEY NO. 37/1, 35 CORPORATION DIV. NO. 32. SCALE 1" = 80' (1:100)

| | | |
|---------------------|------------|-------------|
| PLOT AREA | 2376 SQ-FT | 220.73 SQ.M |
| PLINTH AREA IN G.F. | 699 SQ-FT | 64.94 SQ.M |
| FF. | 699 SQ-FT | 64.94 SQ.M |
| PLOT COVERAGE | 29% | |



EXG. TOILET TO BE REMOVED

SPECIFICATIONS:
 FOUNDATIONS AND LEVELLING COURSE ARE IN P.C.C. 1:4:8 MIX. BRICK WORK IN C.M. 1:5 MIX. REINFORCED CEMENT CONCRETE WORKS IN 1:2:4 MIX. PLASTERING THE WALLS IN C.M. 1:4. CEILING AND FLOOR FINISHING IN C.M. 1:3 MIX. WEATHERING COURSE WITH TWO LAYERS OF FLAT TILES LAID IN C.M. 1:4 MIX. DOORS AND WINDOWS ARE IN WELL SEASONED WOOD WITH TWO COATS OF ENAMEL PAINT. WHITE OR COLOUR WASHING FOR WALLS.

SCHEDULE OF JOINERIES:

| | |
|--------------|---------------------------|
| D DOOR | 3'3" x 7'0" (1.00 x 2.13) |
| D1 DOOR | 3'0" x 7'0" (0.91 x 2.13) |
| D2 DOOR | 2'6" x 7'0" (0.76 x 2.13) |
| W WINDOW | 6'0" x 4'6" (1.83 x 1.37) |
| W1 WINDOW | 4'6" x 4'6" (1.37 x 1.37) |
| W2 WINDOW | 3'0" x 4'6" (0.91 x 1.37) |
| V VENTILATOR | 2'6" x 2'6" (0.76 x 0.76) |

: PROPOSAL
 : REMOVAL
 : ROADS
 : EXISTING
 : SITE BOUNDARY LINE

OWNER: (P.T. YUVARAJ)
V. Venkatesan
 V. VENKATESAN, J.E.M.Sc.M.I.E
 CIVIL ENGINEER
 Class I Licensed Surveyor No. 6,
 CORPORATION OF MADRAS
 No 3, Paper Mills Road, First Floor,
 NEAR PERAMBUR CHURCH, MADRAS-11.